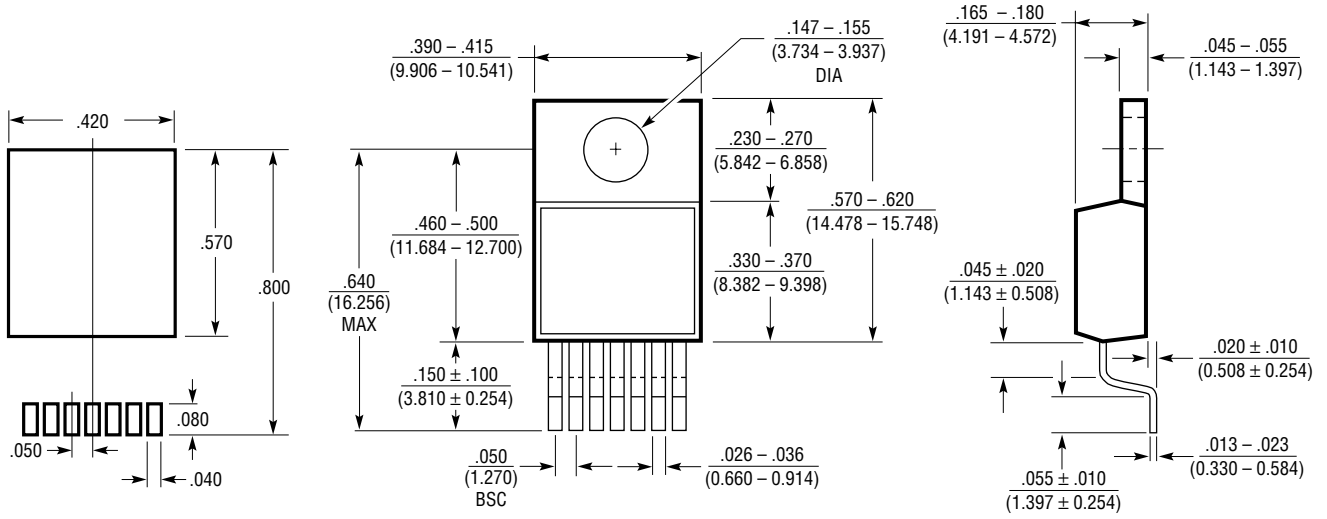


TO-220 7-Lead Package Outline (Flow 35)
 (Reference LTC DWG # 05-08-1495)



NOTE: CONTROLLING DIMENSIONS ARE IN INCHES