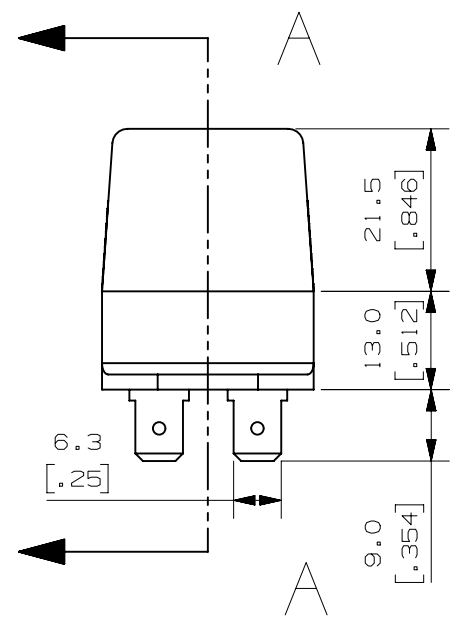


- NOTES:
- MATERIALS:
 COVER: CRYSTAL-CLAEAR POLYCARBONATE
 BODY: BLACK POLYAMIDE, GLASS FIBER REINFORCED
 CONTACT SECURING: WHITE POLYAMIDE, GLASS FIBER REINFORCED
 CONTACTS: TIN PLATED BRASS, PLATING THICKNESS 8-10µ
 - INSERTION FORCE: 20-50N
 - EXTRACTION FORCE: 12-50N



METRIC
ASSEMBLY

NO	COMPONENT NO	DESCRIPTION	QTY/M	U/M
BILL OF MATERIAL				
		UNLESS OTHERWISE SPECIFIED, DIMENSIONS ARE IN MILLIMETERS. DIMENSIONS IN BRACKETS [] ARE INCHES		
		UNLESS OTHERWISE SPECIFIED, DIMENSIONS DO NOT INCLUDE PLATING.		
⊙		DENOTES CRITICAL CHARACTERISTICS.		
CPK		DENOTES CPK DIMENSIONS, -MINIMUM CPK VALUE		
ST		DENOTES A CHARACTERISTIC THAT PROVIDES AN INDICATION OF PROCESS PERFORMANCE. PROCEDURE FOR MEASUREMENT AND TRACKING TO BE DEFINED IN LITTELFUSE INSPECTION INSTRUCTIONS		
CP		DENOTES CP DIMENSIONS, -MINIMUM CP VALUE MUST BE WITHIN THE DIMENSIONAL LIMITATIONS SHOWN ON DRAWING AND INITIALLY LOCATED TO ALLOW FOR MAXIMUM TOOL LIFE		

COPIES TO		MATERIAL SPEC		REFER TO NOTES	
1	9	18			
2	10	19			
3	12	20			
4	13	21			
5	14	23			
6	15	33			
7	16	43			
8	17	53			
TOLERANCES UNLESS OTHERWISE SPECIFIED (REF. ISO 2768-FH)					
DIMENSION	0.5 - 3	3 - 6	6 - 30	30 - 120	120 - 400
TOLERANCE	+0.1	+0.1	+0.2	+0.3	+0.5
3RD ANGLE PROJECTION					
DATE		DATE		DATE	
11/17/13		11/18/13		1:1	
REVISION		SCALE		FINISH	
A		1:1		SUPER DR	
509B15ERA-NEW RELEASED FYUE				FINISH GOOD WT	
				GRAMS/PIECE	
				UP TO OVER UP TO OVER UP TO OVER	
				30 - 120 120 - 400	
				±0.3 ±0.5	
TITLE BLOCK 5 POSITIONS, VERTICAL CONTACTS					
Littelfuse				REVISION DRWG. NO.	
LIPA CITY, BATANGAS, PHILIPPINES				A 03500418Z	
METRIC ASSEMBLY				OUTLINE	