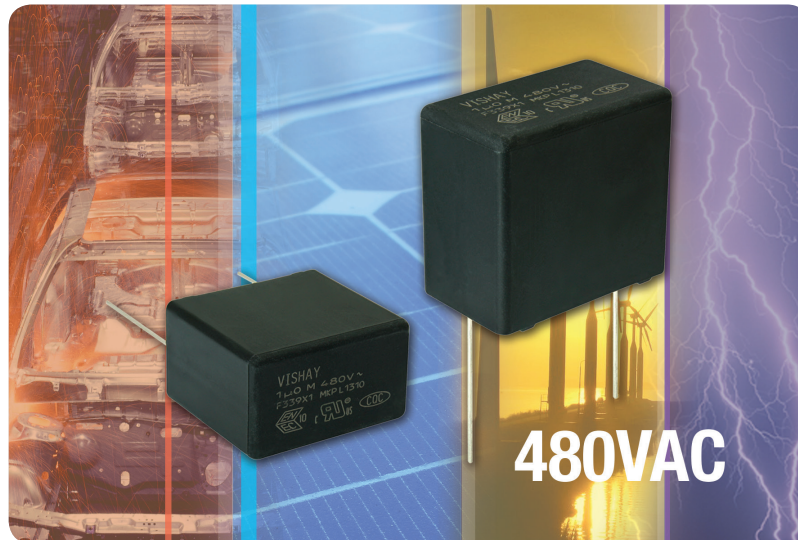


Interference Suppression Film Capacitors MKP Radial Potted Type



FEATURES AND BENEFITS

- Rated voltage 480 V_{AC}; 50 Hz to 60 Hz
- Capacitance range 0.001 μF to 1 μF
- Halogen-free product
- Maximum application temperature 110 °C
- Withstanding pulse loads: uncontrolled mains switching must be sustained
- Safe end-of-life behavior
- Safety standard approvals:
 - IEC 60384-14
 - CSA -E384-14
 - UL 60384-14
 - CQC

APPLICATIONS

- For standard across the line X1 applications up to 480 V_{AC}
- For series impedance application and continuous operations; high grade of capacitance stability due to internal series connection.

RESOURCES

- Datasheet: [F339X1 480 VAC - www.vishay.com/doc?28186](http://www.vishay.com/doc?28186)
- For technical questions contact rfi@vishay.com
- Material categorization: For definitions of compliance please see www.vishay.com/doc?99912



RoHS
COMPLIANT

HALOGEN
FREE

One of the World's Largest Manufacturers of
Discrete Semiconductors and Passive Components



FILM CAPACITORS

F339X1 480VAC


FEATURES

- 10 mm to 27.5 mm lead pitch
- Supplied loose in box or taped on reel
- Material categorization:
For definitions of compliance please see www.vishay.com/doc?99912

APPLICATIONS

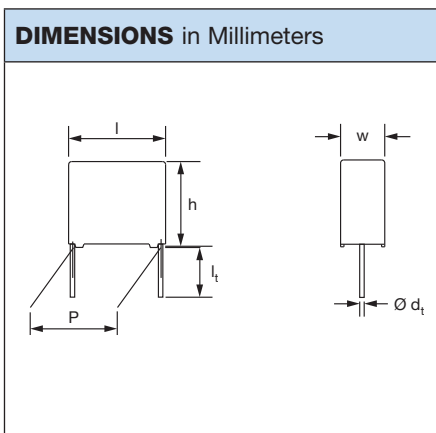
For standard across the line X1 applications
See also application note: www.vishay.com/doc?28153



QUICK REFERENCE DATA	
Capacitance range (E12 series)	0.001 μ F to 1.0 μ F (preferred values according to E6)
Capacitance tolerance	$\pm 20\%$; $\pm 10\%$; $\pm 5\%$
Climatic testing class according to IEC 60068-1	55/110/56/B
Rated AC voltage	480 V _{AC} ; 50 Hz to 60 Hz
Permissible DC voltage	1000 V _{DC}
Maximum application temperature	110 °C
Reference standards	IEC 60384-14 and EN 60384-14 IEC 60065 requires pass. flamm. class B CSA-E384-14; UL 60384-14 CQC
Dielectric	Polypropylene film
Electrodes	Metallized
Construction	Series construction 
Encapsulation	Plastic case, epoxy resin sealed, flame retardant UL-class 94 V-0
Leads	Tinned wire
Marking	C-value; tolerance; rated voltage; sub-class; manufacturer's type; code for dielectric material; manufacturer location; manufacturers logo or lettering; year and week; safety approvals

Note

- For more detailed data and test requirements, contact rfi@vishay.com



PITCH (mm)	10		15	
	C (μ F)	Min.	0.001	0.01
	Max.	0.01	0.1	0.1
Dimensions w x h x l (mm)	Min.	4.0 x 10.0 x 12.5	5.0 x 11.0 x 17.5	5.0 x 11.0 x 17.5
	Max.	6.0 x 12.0 x 12.5	10.0 x 16.5 x 17.5	10.0 x 16.5 x 17.5

PITCH (mm)	22.5		27.5	
	C (μ F)	Min.	0.047	0.15
	Max.	0.33	1.0	1.0
Dimensions w x h x l (mm)	Min.	6.0 x 15.5 x 26.0	9.0 x 19.0 x 31.5	9.0 x 19.0 x 31.5
	Max.	12.0 x 22.0 x 26.0	21.0 x 31.0 x 31.0	21.0 x 31.0 x 31.0