

CGA4J3X5R1H475K125AB

TDK Item Description : CGA4J3X5R1H475KT***



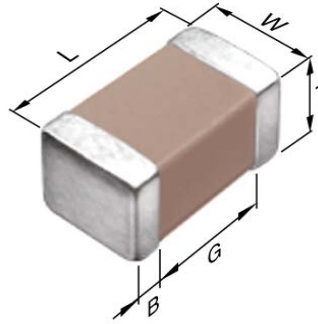
Equivalent C2012X5R1H475K for Automotive

Application & Main Feature

Automotive Grade (General (Up to 50V))

Series

CGA4(2012) [EIA CC0805]



Dimensions

- L 2.00mm +/-0.2mm
- W 1.25mm +/-0.2mm
- T 1.25mm +/-0.2mm
- B 0.20mm Min.
- G 0.50mm Min.

Temperature Characteristic

X5R (-55 to 85 degC +/-15%)

Rated Voltage

1H (50Vdc)

Capacitance

4.7uF

Capacitance Tolerance

K (+/-10%)

Dissipation Factor

7.5% Max.

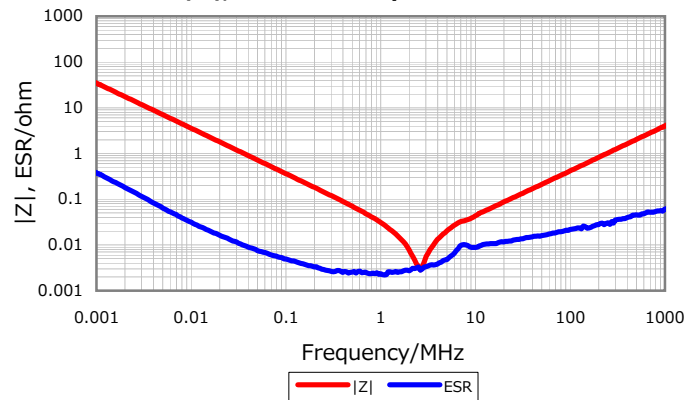
Insulation Resistance

106Mohm Min.

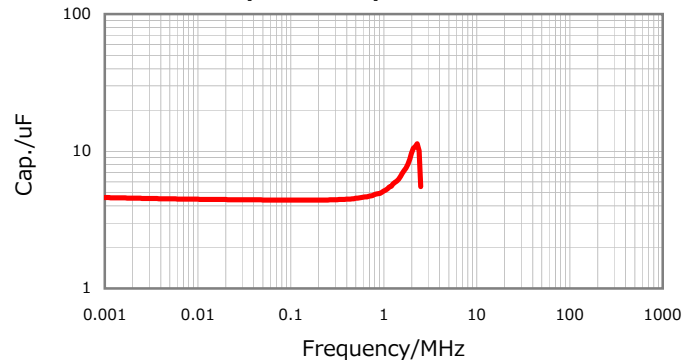
AEC-Q200

Yes

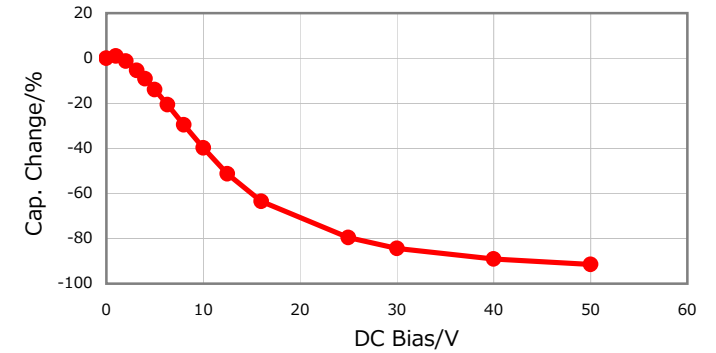
|Z|, ESR vs. Freq. Characteristics



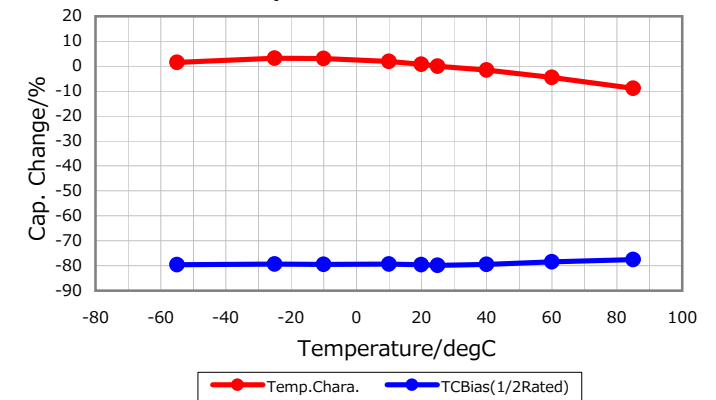
Cap. vs. Freq. Characteristic



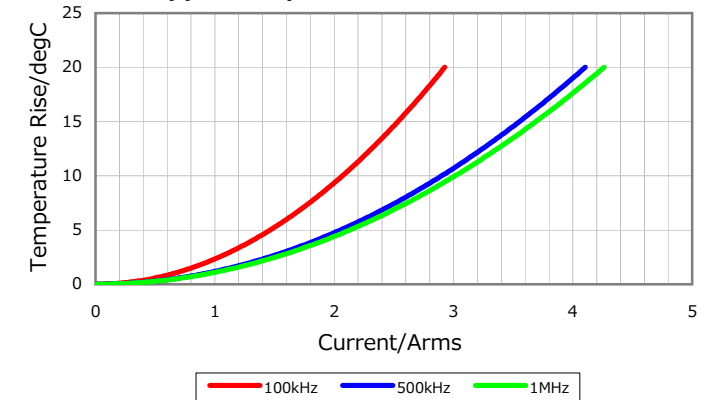
DC Bias Characteristic



Temperature Characteristics



Ripple Temperature Rise Characteristics



Characterization Sheet (Multilayer Ceramic Chip Capacitors)



All specifications are subject to change without notice.

January 4, 2016