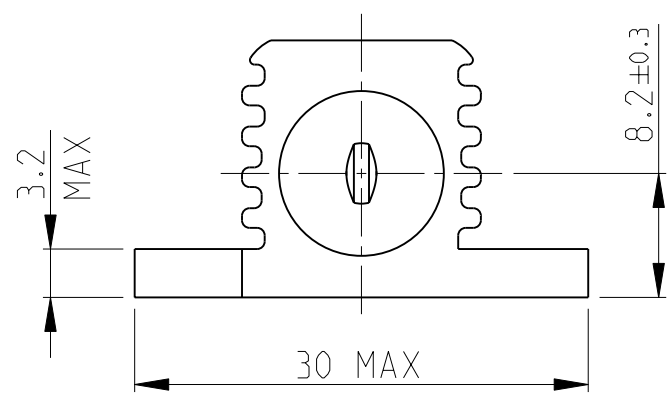
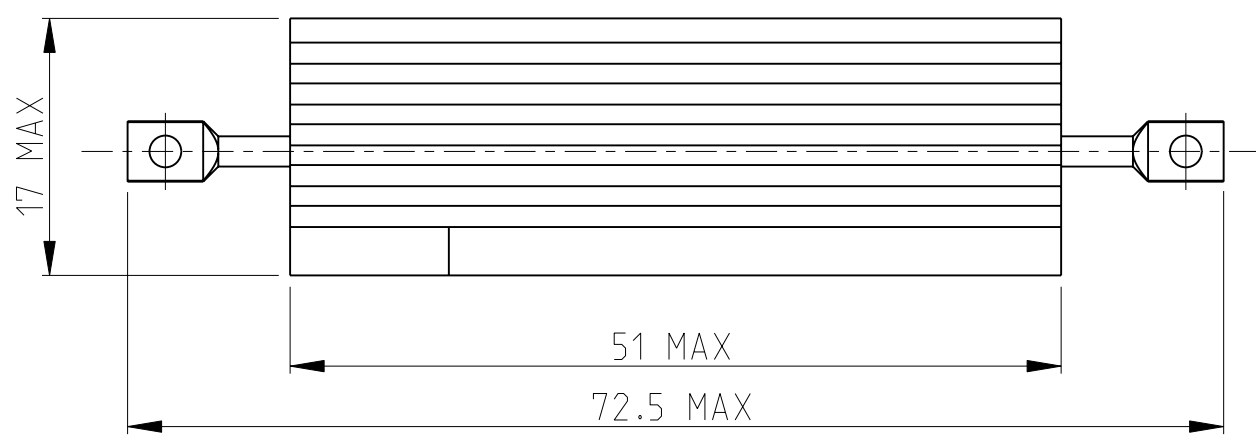
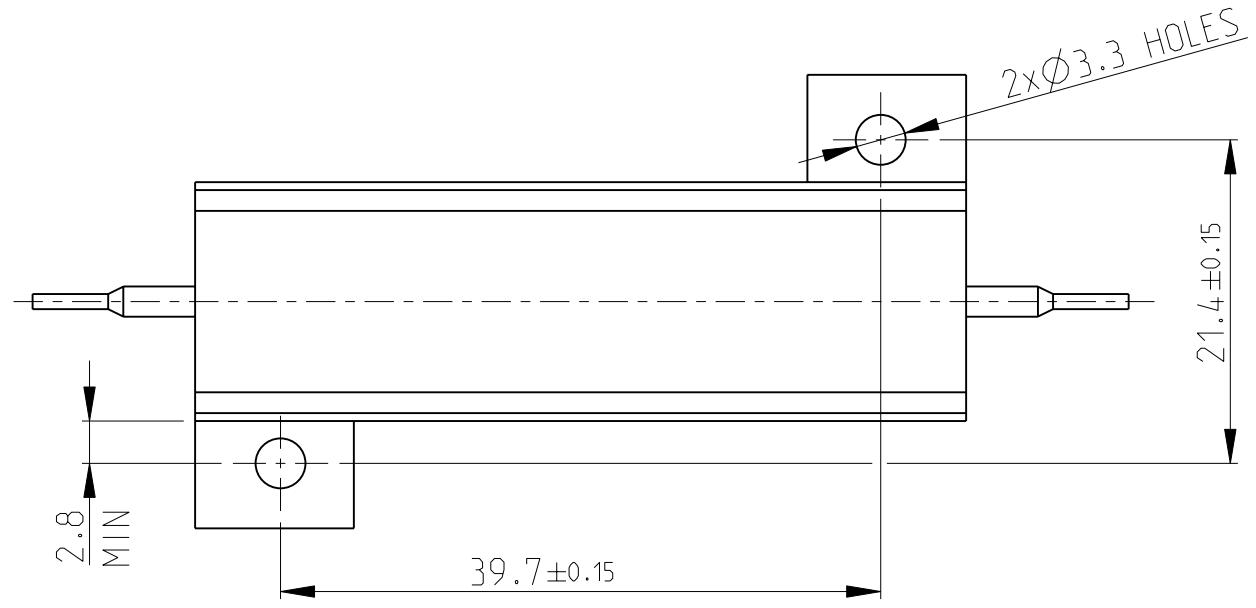


THIS DRAWING IS UNPUBLISHED. RELEASED FOR PUBLICATION SEP. 2005
 © COPYRIGHT 2005 BY TYCO ELECTRONICS CORPORATION. ALL RIGHTS RESERVED.

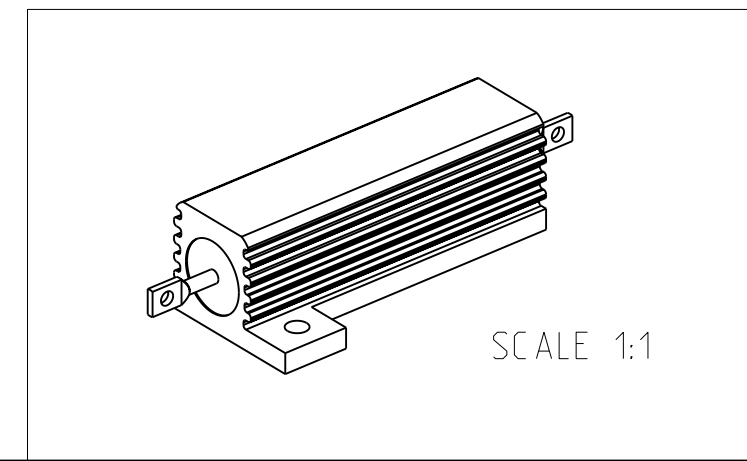
LOC	DIST	REVISIONS			
P	LTR	DESCRIPTION	DATE	DWN	APVD
E	B	B1	Released as per ECR-08-022292	4-Sep-08	SP JC

- FOR FURTHER INFORMATION SEE DATA SHEET FOR HS SERIES-ALUMINIUM HOUSED RESISTORS
- FOR A SPECIFIC PN FOR A RESISTANCE VALUE AND TOLERANCE, PLEASE REFER TO DMF
- TECHNICAL SPECIFICATION

DISSIPATION AT 25°C : 50 WATTS MOUNTED ON STANDARD HEATSINK
 BS OHMIC RANGE : R051 TO 72K
 STABILITY : ΔR < =1% PER 1000Hrs
 ISOLATION VOLTAGE : 2500V DC/AC pk
 MAX WORKING VOLTAGE : 1250V DC/AC rms
 TEMP COEFFICIENT : > 1R0 50ppm
 > 100R 25ppm
 CLIMATIC CATEGORY : 55/200/56



RoHS Compliant



THIS DRAWING IS A CONTROLLED DOCUMENT FOR TYCO ELECTRONICS CORPORATION IT IS SUBJECT TO CHANGE AND THE CONTROLLING ENGINEERING ORGANIZATION SHOULD BE CONTACTED FOR THE LATEST REVISION.		DWN DAVE KENNEDY 29.SEP.05	Tyco Electronics Corporation Dorcan, Swindon, SN3 5HH		
DIMENSIONS: mm		CHK J CATCHPOLE 30.SEP.05	NAME HSA50 WIDE BORE		
TOLERANCES UNLESS OTHERWISE SPECIFIED:		APVD J CATCHPOLE 30.SEP.05	PRODUCT SPEC -		
0 PLC ±0.5		APPLICATION SPEC -			
1 PLC ±0.2		WEIGHT -			
2 PLC ±0.1		SIZE A3 CAGE CODE 00779 DRAWING NO C=1630186 RESTRICTED TO -			
3 PLC ±		CUSTOMER DRAWING SCALE 3:1 SHEET 1 OF 1 REV B1			
4 PLC ±					
ANGLES ±5°					
MATERIAL - FINISH -					