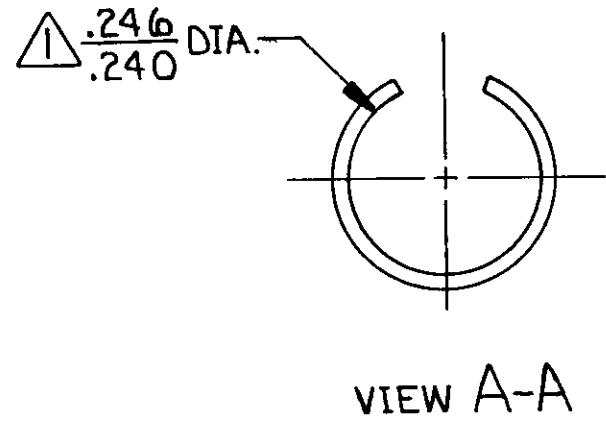
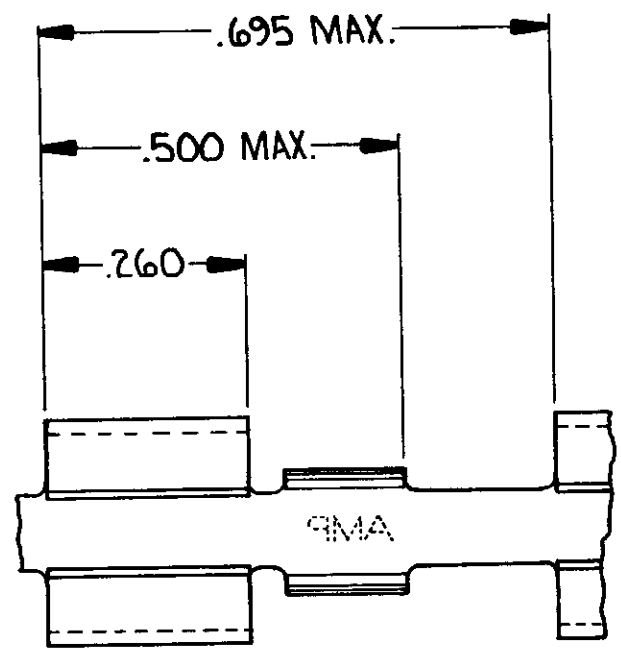
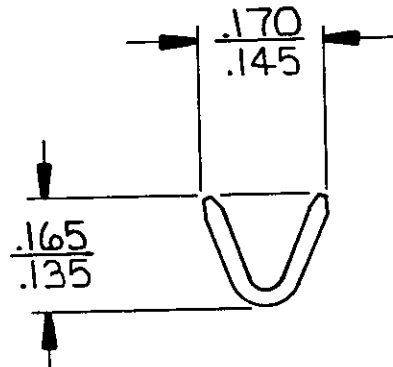
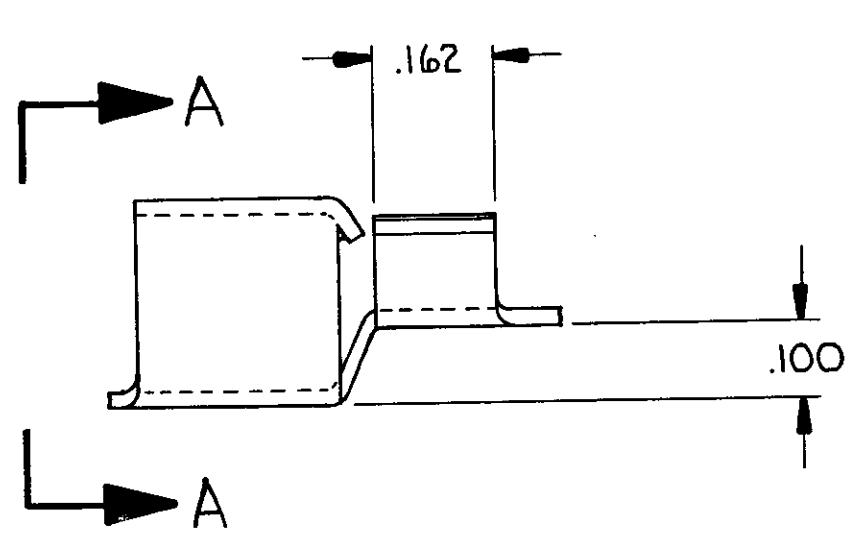


THIS DRAWING IS UNPUBLISHED. RELEASED FOR PUBLICATION . 19 .  
 © COPYRIGHT 19 BY AMP INCORPORATED, HARRISBURG, PA. ALL INTERNATIONAL RIGHTS RESERVED. AMP PRODUCTS MAY BE COVERED BY U.S. AND FOREIGN PATENTS AND/OR PATENTS PENDING.

REVISIONS						
P	F	ZONE	LTR	DESCRIPTION	DATE	APPROVED
/			F3	REDRAWN	5-18-87	PKC TB
			G	REV PER 0710-0427-95	26/ep/hs	PmF



△ FITS ON .250 ± .003 DIA. PIN



PRE TIN	.020 BRASS	40626-0
PLATING	MATERIAL	PART NO

UNLESS OTHERWISE SPECIFIED DIMENSIONS ARE IN INCHES. TOLERANCES ON: DECIMALS ± .015 ANGLES ± 1° 0'	CONTRACT NO	AMP INCORPORATED Harrisburg, Pa.	
	DR <i>Phil Collins</i> 5-18-87	NAME	
MATERIAL	CHK <i>T Beck</i> 5-28-87	FUSE RECEPTACLE	
SEE TABLE	APPD <i>Don Crowe</i> 28 May 87	SIZE	FSCM NO
FINISH	APPD	B	00779
SEE TABLE	DSGN APPD	DRAWING NO	40626
	OTHER APPD	SCALE 4:1	SHEET 1 OF 1

CUSTOMER DRAWING